

**Eddie Bauer**<sup>®</sup>  
EST. 1920

## Operation

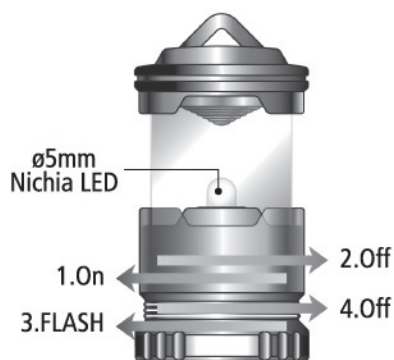
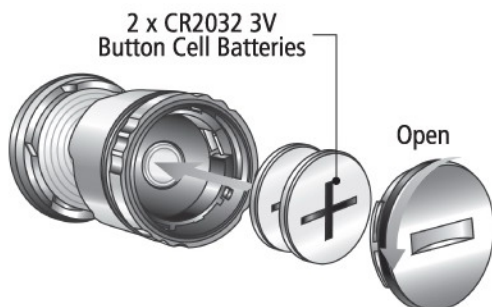
Rotate the lantern body for ON > OFF > FLASH > OFF

## Battery Replacement

1. Use a coin to unscrew and remove the lantern base.
2. Remove the old batteries and insert two new CR2032 button cell batteries, positive end of batteries facing up, then replace the lantern base.

## Bulb Replacement

LED never needs to be replaced



## **⚠ WARNING**

- Do Not look directly at light
- Do Not allow children to use this product without adult supervision

Manufactured by  
Coast Products  
P.O. Box 5821  
Portland, OR 97228  
1-800-426-5858  
[www.coastcutlery.com](http://www.coastcutlery.com)

## Made in China

Coast Products is an authorized licensee of Eddie Bauer, Inc.  
Eddie Bauer<sup>®</sup> is a registered trademark of Eddie Bauer, Inc.

**Style# EB4205GB**