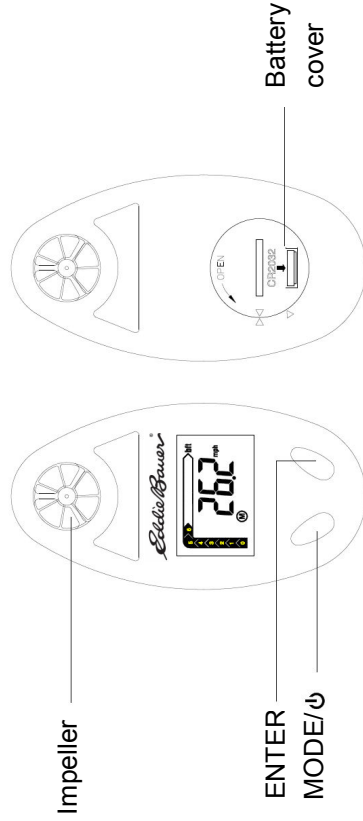


**Weather Watcher** Style EB3200GB

Operating Manual

**Product Features**

- Pocket-sized weather watcher
- Wind chill
- Wind speed display in Beaufort scale bar graph
- Wind speed measure in mph, Km/h, m/s or Knots
- Temperature in degrees Celsius ° C or Fahrenheit ° F
- Auto power OFF
- LCD screen with backlight
- Easy to read high contrast LCD
- Lanyard included



Impeller

ENTER  
MODE/ON/OFF

Battery  
cover

**Button function**

**MODE/ON/OFF button:**

To switch between different modes -wind speed and temperature

To turn power ON/OFF

To enter the setting mode

To turn on the backlight

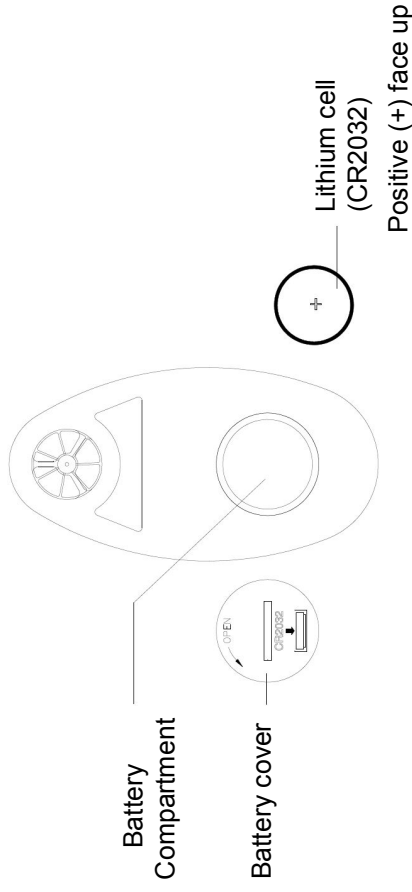
**ENTER button:**

To switch between temperature and wind chill in Temperature mode

To change measure unit from Km/h to m/s or ° C to ° F in setting mode

**Getting started:**

1. Open the battery cover at the back of the weather watcher by a coin.
2. Insert the battery (CR2032-included) into the battery compartment with positive (+) face up.
3. Replace the battery cover.



Battery  
Compartment

Battery cover

Lithium cell  
(CR2032)

Positive (+) face up

**To turn power ON/OFF:**

Press and hold down the **MODE** button for 3 seconds to turn the Weather Watcher ON or OFF.

The weather watcher will turn OFF automatically when no key is pressed in 5 minutes.

**Setting Up**

The Weather Watcher must be OFF before entering the manual setting mode.

Press and hold down the **MODE** button for 5 seconds, the wind speed unit will start flashing on the right side of the LCD.

1) Wind speed unit

Press the ENTER button to set the desired wind speed unit in Km/h (Kilometers per hour), mph (miles per hour), m/s (meters per second) or Knots.

Press MODE button to confirm the desired wind speed unit.

2) Temperature unit

After setting the wind speed unit, the setting mode will switch to temperature unit setting.

Press the ENTER button to set the desired temperature unit in degrees Celsius ° C or Fahrenheit ° F

Press MODE button to confirm the desired temperature unit.

3) Average wind speed

After setting the temperature unit, the setting mode will switch to average time setting. The Weather Watcher can measure average wind speed in a time interval of 2-10 seconds.

Press the ENTER button to set the average time from 2-10 seconds.

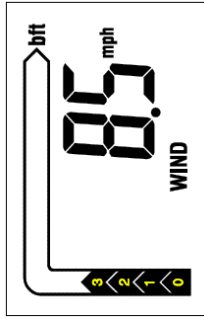
Press MODE button to confirm the desired average time.

**The Weather Watcher has two modes- wind speed and temperature.**

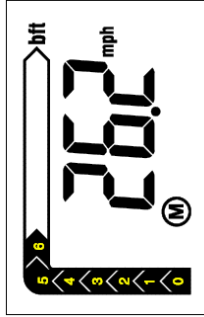
To switch between these two modes, press the **MODE** button.

### Wind Speed Mode

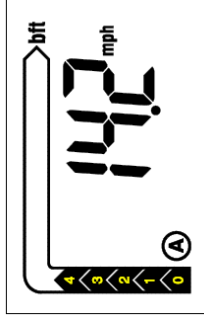
The wind speed mode has three different displays –Current wind speed, Maximum wind speed since power on and Average wind speed since power on. To switch between these three displays, press the ENTER button.



Current wind speed



Maximum wind speed since power on



Average wind speed since power on

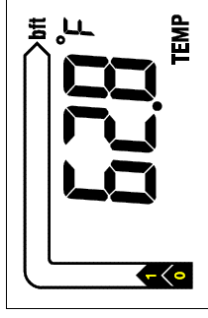
### Beaufort wind scale (bft)

The Weather Watcher displays Beaufort scale in bar graph. The Beaufort scale was created by practical experience; observing sea conditions to measure/ describe wind intensity. The scale starts from 0 to 12

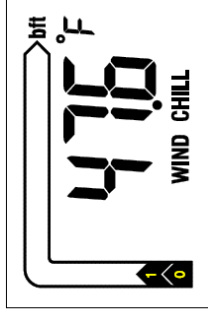
Force	Description	mph	kt	Km/h	M/s
0	Calm	0	0	0	0-0.2
1	Light Air	1-3	1-3	1-6	0.3-1.5
2	Light Breeze	4-7	4-6	7-11	1.6-3.3
3	Gentle Breeze	8-12	7-10	12-19	3.4-5.4
4	Moderate Breeze	13-18	11-15	20-29	5.5-7.9
5	Fresh Breeze	19-24	16-21	30-39	8.0-10.7
6	Strong Breeze	25-31	22-27	40-50	10.8-13.8
7	Near Gale	32-38	28-33	51-62	13.9-17.1
8	Gale	39-46	34-40	63-75	17.2-20.7
9	Strong Gale	47-54	41-47	76-87	20.8-24.4
10	Storm	55-63	48-55	88-102	24.5-28.4
11	Violent Storm	64-73	56-63	103-119	28.5-32.6
12	Hurricane	74-95	64-80	120	32.7-40.8

### Temperature/ Wind Chill Mode

The temperature mode displays current temperature and wind chill. To switch between these two displays, press the ENTER button.



Temperature



Wind chill

### LCD Backlight

Press and hold down the **MODE** button for 3 seconds to switch the back light ON. The backlight will be OFF automatically in approximately 8 seconds.

### SPECIFICATIONS

Operating temperature range: 14°F to 140°F (-10°C to 60°C)

Temperature measuring range -22°F to 140°F (-30°C to 60°C)

Wind speed range: Maximum 81 mph (36 m/s) Minimum 0.4 mph (0.2 m/s)

Uses one (1) 3V lithium cell CR2032 (included)

### Care and Maintenance

Avoid dropping the product or high impact.

Avoid storing the product in area of excessive heat, high temperature or high humidity.

Change the battery when the display becomes dim.

This is not a toy, keep away from children.

Manufactured by

Coast Products

P.O.Box 5821

Portland, OR 97288

1-800-426-5858

[www.coastcutlery.com](http://www.coastcutlery.com)

Made In Taiwan

Coast Products is an authorized licensee of Eddie Bauer, Inc.

*Eddie Bauer* is a registered trademark of Eddie Bauer, Inc.